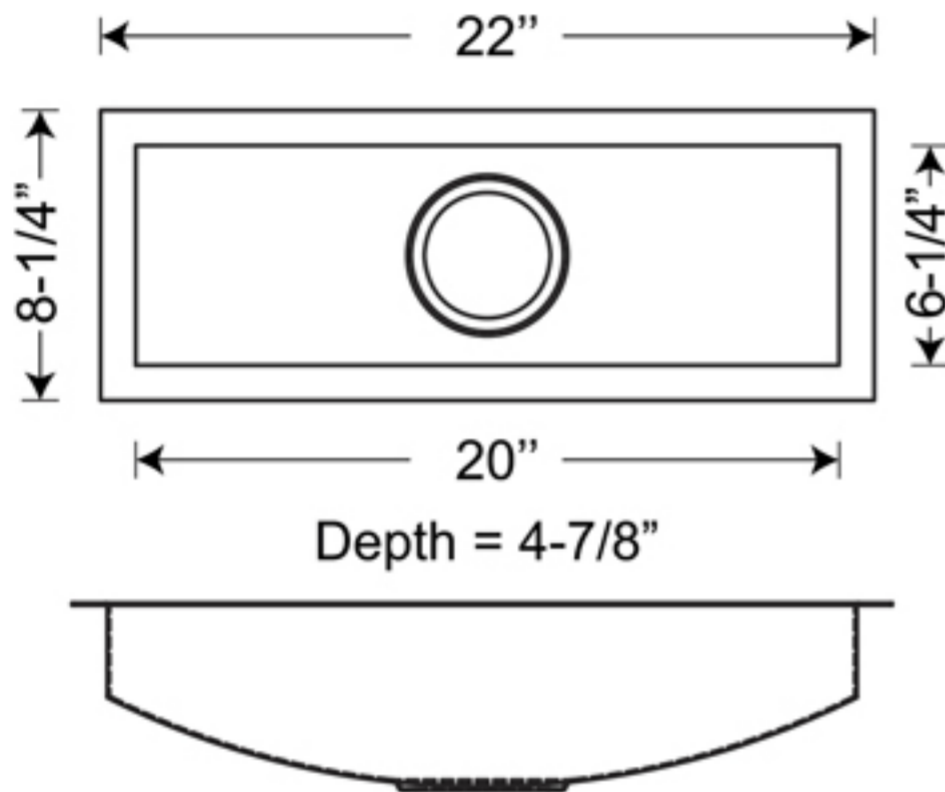


Alya

Universe
ZERO



This model is made from durable 18 gauge 304 premium stainless steel, highly resistant to heat, most household stains, and rust for the life of the product.

SIS-UZ106-ZR ALYA - UNIVERSE ZERO SERIES

- Undermount
- Premium stainless steel 304
- 18/8 chrome nickel content
- ZERO RADIUS corners
- Pro-Vest™ undercoat protection over Sound Shield™ pads
- Template and mounting hardware included
- Satin finish - Fits 24" cabinet
- 3 1/2" drain opening

SINK FEATURES



Stone sinks feature Sound-Shield pads on several strategic areas of every sink for extra sound proofing. Made of natural rubber, the Sound-Shield pads reduce the noise of clattering dishes and running water.



Pro Vest is a protective coating over the Sound-Shield pads. This system reduces noise, prevents condensation, and helps maintaining water temperature when pre-soaking dishes.



All Stone sinks receive expert hands-on care under strict quality control throughout every stage of our modern manufacturing process. This ensures a "NO HASSLE" Limited Lifetime Warranty against all manufacturing defects in material and workmanship under normal use. Please read our Limited Lifetime Warranty policy at our web site: www.StoneUsa.com.

AVAILABLE ACCESSORIES



SIS-S01-04
Basket Strainer
Brushed Nickel

QTY



SIS-S06-04
Disposal Flange
Brushed Nickel

QTY



JOB INFORMATION

JOB NAME: _____ MODEL SPECIFIED: _____ QUANTITY: _____

DATE: _____ ARCHITECT/ENGINEER: _____

CUSTOMER: _____ CONTRACTOR: _____