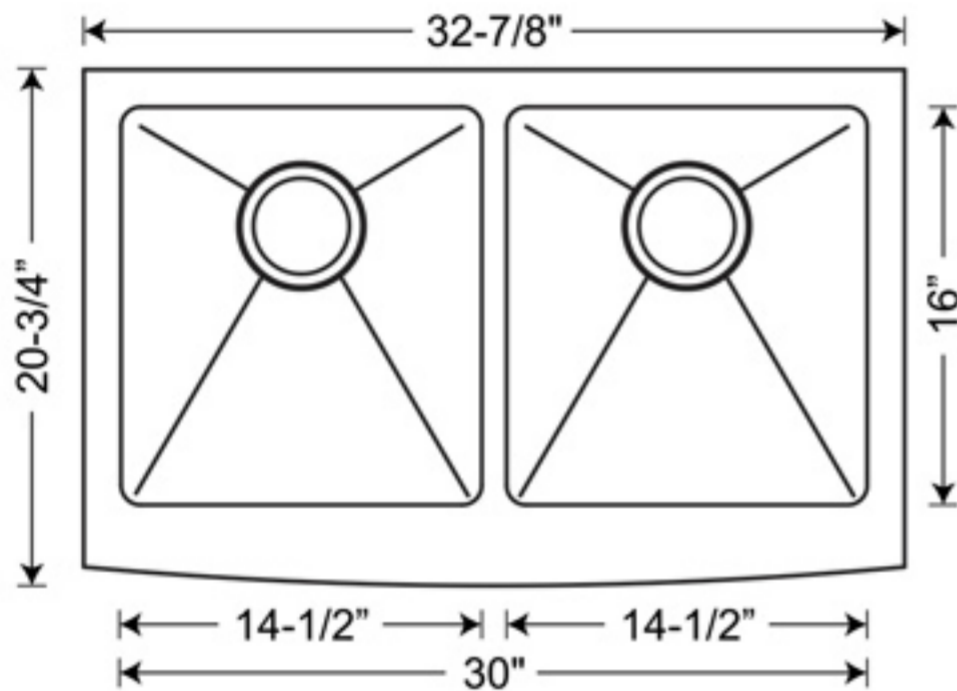


Nihal

Universe
ZERO



Sink Depth = 9"
Apron Front Depth = 8"



This model is made from durable 18 gauge 304 premium stainless steel, highly resistant to heat, most household stains, and rust for the life of the product.

SIS-UAZ202 NIHAL - UNIVERSE ZERO SERIES

- Farmhouse apron
- Premium stainless steel 304
- 18/8 chrome nickel content
- 20mm/0.75 radius coved corners
- Pro-Vest™ undercoat protection over Sound Shield™ pads
- Template and mounting hardware included
- Satin finish - Fits 36" cabinet
- 3 1/2" drain opening

SINK FEATURES



Stone sinks feature Sound-Shield pads on several strategic areas of every sink for extra sound proofing. Made of natural rubber, the Sound-Shield pads reduce the noise of clattering dishes and running water.



Pro Vest is a protective coating over the Sound-Shield pads. This system reduces noise, prevents condensation, and helps maintaining water temperature when pre-soaking dishes.



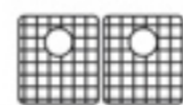
All Stone sinks receive expert hands-on care under strict quality control throughout every stage of our modern manufacturing process. This ensures a "NO HASSLE" Limited Lifetime Warranty against all manufacturing defects in material and workmanship under normal use. Please read our Limited Lifetime Warranty policy at our web site: www.StoneUsa.com.

CODE / STANDARDS COMPLIANCE

Most Stone sinks meet or exceed the following specifications:
ASME 112.19.3-2008 - IAPMO/UPC listed - CSA B45.4-2008



AVAILABLE ACCESSORIES



SIS-G-AZ202
Stainless Steel
Grid Set



SIS-S01-04
Basket Strainer
Brushed Nickel



SIS-S06-04
Disposal Flange
Brushed Nickel



SIS-S01
Deluxe Strainer &
Basket Brushed Nickel



SIS-GCB1709
Glass Cutting
Board



JOB INFORMATION

JOB NAME: _____ MODEL SPECIFIED: _____ QUANTITY: _____

DATE: _____ ARCHITECT/ENGINEER: _____

CUSTOMER: _____ CONTRACTOR: _____