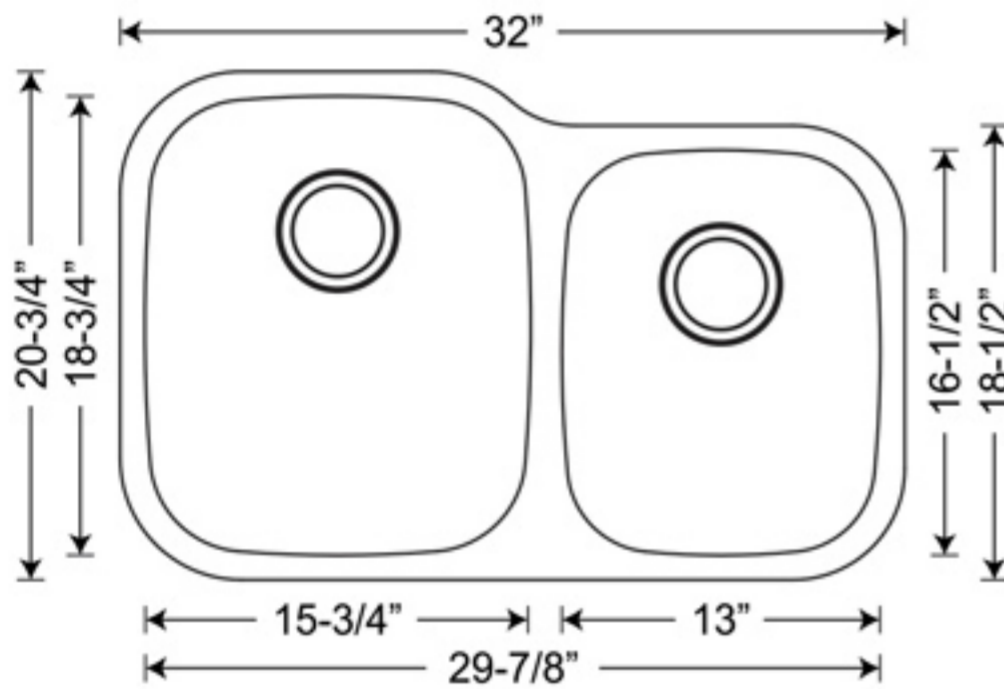




This model is made from durable 18 gauge 304 premium stainless steel, highly resistant to heat, most household stains, and rust for the life of the product.



Depth = 9" and 7-1/2"

**SIS-201 ORION - UNIVERSE SERIES**

- Undermount
- Premium stainless steel 304
- 18/8 chrome nickel content
- Pro-Vest™ undercoat protection over Sound Shield™ pads
- Template and mounting hardware included
- Satin finish - Fits 36" cabinet
- 3 1/2" drain opening

**SINK FEATURES**



Stone sinks feature Sound-Shield pads on several strategic areas of every sink for extra sound proofing. Made of natural rubber, the Sound-Shield pads reduce the noise of clattering dishes and running water.



Pro Vest is a protective coating over the Sound-Shield pads. This system reduces noise, prevents condensation, and helps maintaining water temperature when pre-soaking dishes.



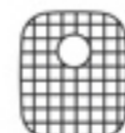
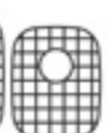



All Stone sinks receive expert hands-on care under strict quality control throughout every stage of our modern manufacturing process. This ensures a "NO HASSLE" Limited Lifetime Warranty against all manufacturing defects in material and workmanship under normal use. Please read our Limited Lifetime Warranty policy at our web site: www.StoneUsa.com.

**CODE / STANDARDS COMPLIANCE**

Most Stone sinks meet or exceed the following specifications:  
ASME 112.19.3-2008 - IAPMO/UPC listed - CSA B45.4-2008



**AVAILABLE ACCESSORIES**

				
SIS-G-201 Stainless Steel Grid Set	SIS-S01-04 Basket Strainer Brushed Nickel	SIS-S06-04 Disposal Flange Brushed Nickel	SIS-S01 Deluxe Strainer & Basket Brushed Nickel	SIS-GCB1709 Glass Cutting Board
QTY	QTY	QTY	QTY	QTY
<input type="checkbox"/>	<input type="checkbox"/>	<input type="checkbox"/>	<input type="checkbox"/>	<input type="checkbox"/>

**JOB INFORMATION**

JOB NAME: \_\_\_\_\_ MODEL SPECIFIED: \_\_\_\_\_ QUANTITY: \_\_\_\_\_  
 DATE: \_\_\_\_\_ ARCHITECT/ENGINEER: \_\_\_\_\_  
 CUSTOMER: \_\_\_\_\_ CONTRACTOR: \_\_\_\_\_