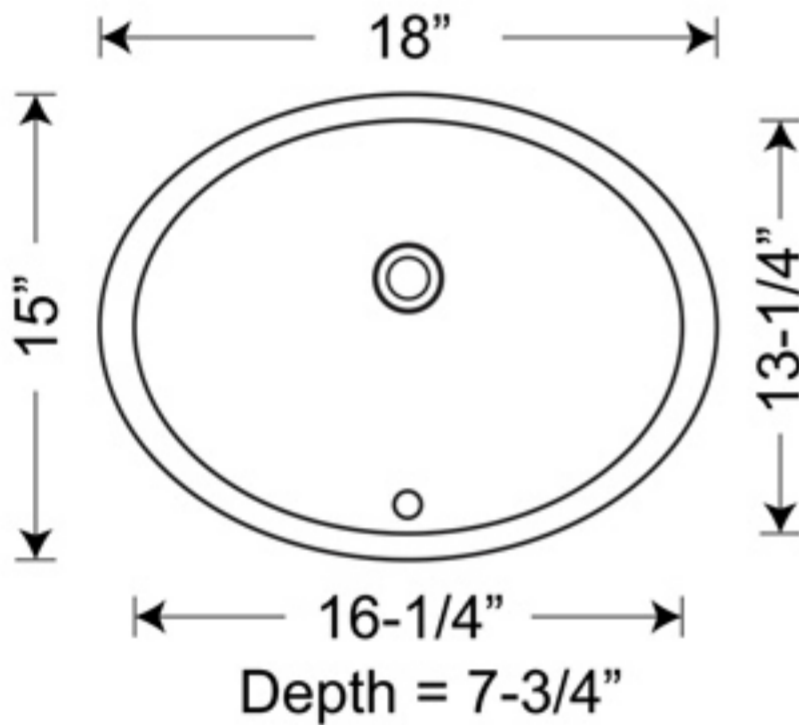


*Syrma*  
Universe  
series



**SIS-1613 SYRMA - UNIVERSE SERIES**

- Undermount lavatory sink
- Premium porcelain
- Polished deck / Rectified
- Straight cut on back
- Fits 21" cabinet
- Template included
- 1 1/2" drain opening



All Stone sinks receive expert hands-on care under strict quality control throughout every stage of our modern manufacturing process. This ensures a "NO HASSLE" Limited Lifetime Warranty against all manufacturing defects in material and workmanship under normal use. Please read our Limited Lifetime Warranty policy at our web site: [www.StoneUsa.com](http://www.StoneUsa.com).

**CODE / STANDARDS COMPLIANCE**

Most Stone sinks meet or exceed the following specifications:

- ASME 112.19.3-2008
- IAPMO/UPC listed
- CSA B45.4-2008



**JOB INFORMATION**

JOB NAME: \_\_\_\_\_ MODEL SPECIFIED: \_\_\_\_\_ QUANTITY: \_\_\_\_\_  
 DATE: \_\_\_\_\_ ARCHITECT/ENGINEER: \_\_\_\_\_  
 CUSTOMER: \_\_\_\_\_ CONTRACTOR: \_\_\_\_\_