

This model is made from durable 18 gauge 304 premium stainless steel, highly resistant to heat, most household stains, and rust for the life of the product.

SIS-101-DI DENEb - UNIVERSE SERIES

- Drop-in / overmount installation
- Premium stainless steel 304
- 18/8 chrome nickel content
- Pro-Vest™ undercoat protection over Sound Shield™ pads
- Template and mounting hardware included
- Satin finish - Fits 26" cabinet
- 3 1/2" drain opening

SINK FEATURES



Stone sinks feature Sound-Shield pads on several strategic areas of every sink for extra sound proofing. Made of natural rubber, the Sound-Shield pads reduce the noise of clattering dishes and running water.

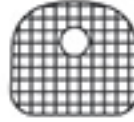






Pro Vest is a protective coating over the Sound-Shield pads. This system reduces noise, prevents condensation, and helps maintaining water temperature when pre-soaking dishes.



All Stone sinks receive expert hands-on care under strict quality control throughout every stage of our modern manufacturing process. This ensures a "NO HASSLE" Limited Lifetime Warranty against all manufacturing defects in material and workmanship under normal use. Please read our Limited Lifetime Warranty policy at our web site: www.StoneUSA.com.

AVAILABLE ACCESSORIES

| | | | | |
|---|---|---|---|---|
|  |  |  |  |  |
| SIS-G-101-DI Stainless Steel Grid Set | SIS-S01-04 Basket Strainer Brushed Nickel | SIS-S06-04 Disposal Flange Brushed Nickel | SIS-S01 Deluxe Strainer & Basket Brushed Nickel | SIS-GCB1709 Glass Cutting Board |
| QTY <input type="checkbox"/> | QTY <input type="checkbox"/> | QTY <input type="checkbox"/> | QTY <input type="checkbox"/> | QTY <input type="checkbox"/> |

JOB INFORMATION

JOB NAME: _____ MODEL SPECIFIED: _____ QUANTITY: _____
 DATE: _____ ARCHITECT/ENGINEER: _____
 CUSTOMER: _____ CONTRACTOR: _____