

# DURAGRANIT™

Composite Granite Sinks

**SINK SPECIFICATIONS**  
 Models SIS-GR202-01, SIS-GR202-02,  
 SIS-GR202-03, SIS-GR202-04, SIS-GR202-05



Black Sand

SIS-GR202-01



Wheat

SIS-GR202-02



Iceberg

SIS-GR202-03



Grey Moon

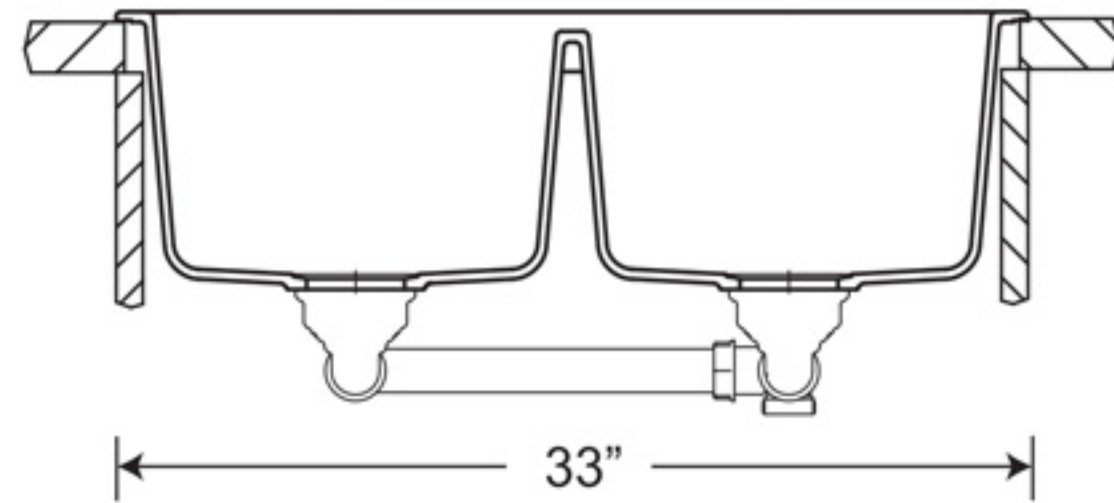
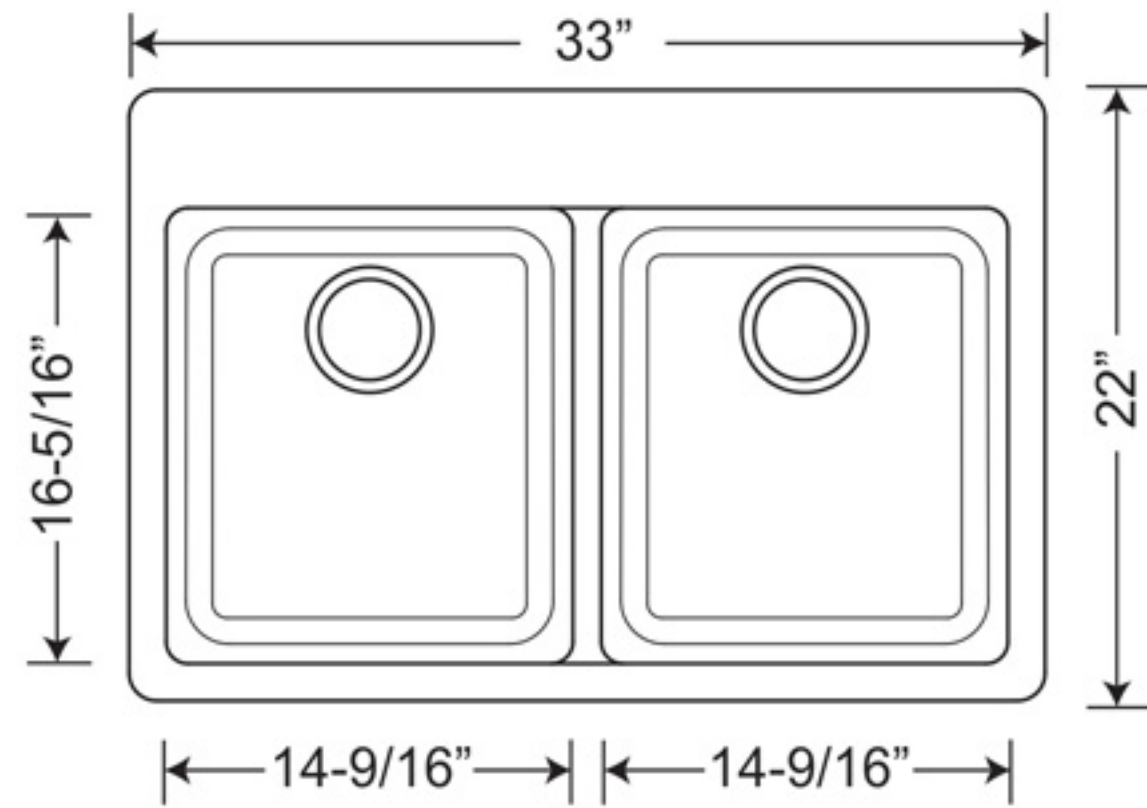
SIS-GR202-04



Chocolate

SIS-GR202-05

## Double Equal Bowl Kitchen Sink

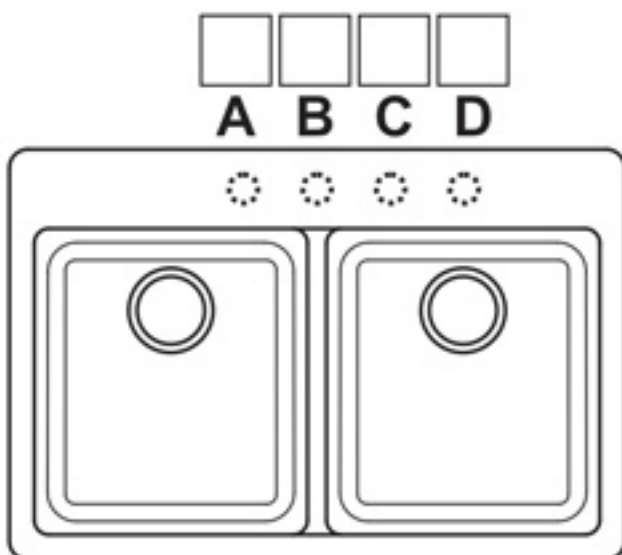


Depth = 9-1/2" / 9-1/2"

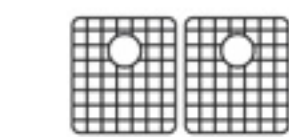
### SIS-GR202 - DURAGRANIT SERIES

- 80% quartz and 20% acrylic resins
- Undermount or drop-in installation
- Scratch and stain resistant
- Heat and acid resistant
- Non-fading
- Easy to clean, extremely hygienic
- Suitable for food preparation
- Fits 36" cabinet
- 3 1/2" drain opening

### KNOCKOUT HOLE LOCATION



### AVAILABLE ACCESSORIES



SIS-G-GR202  
Stainless Steel Grid

QTY



SIS-S01-  
Basket Strainer

QTY



SIS-S06-  
Disposal Flange

QTY



SIS-GCB1709  
Glass Cutting Board

QTY

### CODE / STANDARDS COMPLIANCE



Sinks are listed by IAPMO® as meeting the applicable requirements of the Uniform Plumbing Code®, International Plumbing Code®, and National Plumbing Code of Canada. Product Compliance: CSA B45.5-11/IAPMO Z124-201 including Update No. 1 dated May 2012

### JOB INFORMATION

JOB NAME: \_\_\_\_\_ MODEL SPECIFIED: \_\_\_\_\_ QUANTITY: \_\_\_\_\_

DATE: \_\_\_\_\_ ARCHITECT/ENGINEER: \_\_\_\_\_

CUSTOMER: \_\_\_\_\_ CONTRACTOR: \_\_\_\_\_